

BOLT MINI

SPECIFICATION SHEET
DMX WORK LIGHT

HIGH PERFORMING DMX WORK LIGHT
FOR THEATRICAL APPLICATIONS

Housing

60W / 100W : 4.14" x 11" x 9.06" | 9.7 lbs
150W / 200W : 8.26" x 11.41" x 9.05" | 14.6 lbs

Material

Housing: High Pressure Die-Cast Aluminum
Lens: Tempered Glass

Power Input

60W, 100W, 150W, 200W | 120V, 120-277V

Lumen Output

7,780 lm (60W), 11,850 lm (100W), 21,330 lm (150W), 26,295 lm (200W)

Dimming

Standard 1-10V: Dims to 10%
TRC: Line-voltage phase control, dims to 1%
DMX: High resolution dims to 10%

Color Quality

CRI 75, CRI 85

Rated Life

> 100,000 Hours (L70)

Finish



Black

Color Temperature



3000K



3500K



4000K



5000K



Royal Blue

Optics



30°



60°



Wide

Mounting



Bracket

Warranty

5 Year limited warranty

Listing



Small Form Factor DMX Work Light

The Bolt Mini is a small but powerful DMX work light compatible with 0-10V, Forward or Reverse Phase, and 8-bit DMX dimming controls. Power connection is available in a hard-wired or PowerCON True1 Outlet option. Available up to 26,295 delivered lumens, several beam spread optics and theatrical mounting options such as C-Clamp.



METEOR

meteor-lighting.com

SPECIFICATION SHEET / DMX WORK LIGHT

BOLT MINI HIGH PERFORMING DMX WORK LIGHT FOR THEATRICAL APPLICATIONS



SPECIFICATION

PROJECT NAME

DATE

CATALOG #

QUANTITY

The product configurator function on this page works only with the latest version of Chrome or Adobe Acrobat Reader.

BLTMW	MODEL	BOLT MINI DMX WORK LIGHT		
	WATTAGE	60 60W 200 200W	100 100W	150 150W
	CCT / CRI	308 3000K / CRI85 507 5000K / CRI75	358 3500K / CRI85 RBL¹ Royal Blue	408 4000K / CRI85
	VOLTAGE	120 120V	UNV 120 – 277V	
	DIMMING	NOD Non-Dimming DMX DMX dims to 10% (XLR Sockets)	STV Standard 1-10V dims to 10% DMXR DMX dims to 10% (RJ45 Sockets)	TRC² Line-voltage phase control, dims to 1% DMXP DMX dims to 10% (Phoenix Connector)
	BEAM ANGLE	30 30°	60 60°	WD³ Wide
BLK	FINISH	BLK Black		
BRK	MOUNTING	BRK Bracket		
	POWER	HW⁴ Hard Wired	TRU1 PowerCON True1 Outlet	
	ACCESSORIES	WG⁵ Wire Guard (IK10 Rating) DF⁸ Diffuser	GSB⁶ Glare Shield Baffle CLP C-Clamp Mount	GSV⁷ Glare Shield Visor

CLEAR FORM

¹ RBL is only compatible with 150W, 200W options
² TRC is only compatible with 60W, 100W, 120V options
³ Please factor in change in lumen output of -20%
⁴ Include 2ft Whip and bare conductor ends
⁵ Please factor in change in lumen output of -14%
⁶ Please factor in change in lumen output of -40%
⁷ Please factor in change in lumen output of -25%
⁸ Please factor in change in lumen output with Diffuser (-20% with WD; -12% with other degrees)

TECHNICAL DETAILS

Electrical

- 7,780 lm (60W)
- 11,850 lm (100W)
- 21,330 lm (150W)
- 26,295 lm (200W)
- Power Input: 120V, Universal (120-277V)
- Operating Temperature: -40°F~104°F
- Surge Protection: Built-in is 4KV

LED Features

- Color Temperature: 3000K, 3500K, 4000K, 5000K, Blue
- CRI 75, CRI 85
- Long lasting LED luminaire tested under TM21 lumen maintenance L70 @ 100,000 Hrs

Optics

- Precision molded high transmittance clear PC lens
- Beam Angle: 30°, 60°, WD

Advanced Dimming

- Proprietary VX Driver™ is incorporated to all dimming options for video flicker-free lighting
- Standard 1-10V: Dims to 10%
- TRC: Line-voltage phase control, dims to 1%
- DMX: Dims to 10% (XLR)
- DMXR: Dims to 10% (RJ45)
- DMXP: Dims to 10% (Phoenix Connector)

Housing

- Dimension:
60W / 100W: 4.14" x 11" x 9.06"
150W / 200W: 8.26" x 11.41" x 9.05"
- Material: High Pressure Die-Cast Aluminum, Tempered Glass
- Weight:
60W / 100W: 9.7 lbs
150W / 200W: 14.6 lbs

Mounting

- Bracket

Warranty

- 5-year limited warranty

Listing

- ETL Damp Location Listed
- UKCA
- FCC
- CE
- IK10

PERFORMANCE SUMMARY*

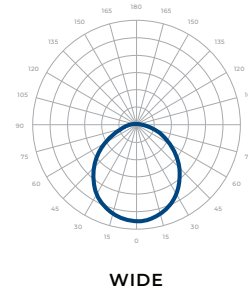
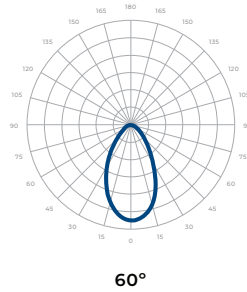
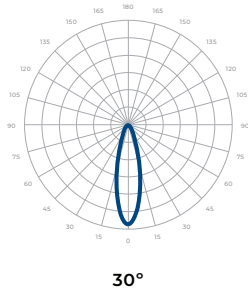
	Delivered Lumens				
CCT/WATTAGE	3000K	3500K	4000K	5000K	Blue
60W	6,930lm	7,200lm	7,170lm	7,780lm	1,890lm
100W	10,535lm	10,800lm	10,990lm	11,850lm	3,100lm
150W	18,355lm	19,000lm	19,125lm	21,330lm	4,650lm
200W	22,950lm	23,800lm	23,990lm	26,295lm	6,000lm

*Beam Angle: 60° * Tolerance ±8%

	Current Consumption	
WATTAGE / VOLT	120V	277V
60W	0.55A	0.22A
100W	0.92A	0.4A
150W	1.38A	0.6A
200W	1.83A	0.8A

PHOTOMETRICS

Below is a typical photometric representation of the Bolt Mini fixture. Please download IES files to ensure exact photometric value.

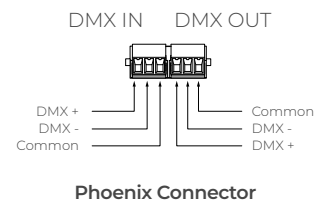
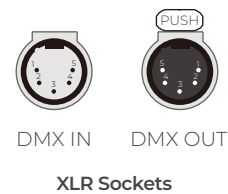
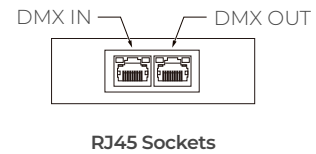


DMX REQUIREMENTS

The Bolt Mini fixture with DMX is a **single channel dmx** unit. When placing an order, please indicate DMX address. (The DMX address will be listed on the back of the fixture). Do not connect more than 32 fixtures per DMX daisy chain.

The fixture can be connected with XLR, RJ45 sockets or Phoenix Connector. DMX cables **are not** included; please refer to compatible DMX cabling list for more information. The final fixture on each daisy chain should be terminated by the use of a DMX terminator purchased from a 3rd party or from Meteor.

CONNECTION	RJ45 (CAT5e)	5-PIN XLR
Common	WHITE/BROWN(PIN7) & BROWN (PIN 8)	PIN 1
Signal -	ORANGE (PIN 2)	PIN 2
Signal +	WHITE/ORANGE (PIN 1)	PIN 3
Spare	-	PIN 4
Spare	-	PIN 5



COMPATIBLE DMX CABLING LIST

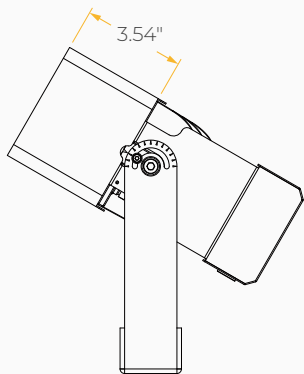
DMX uses a cable consisting of two twisted pairs plus a shield to carry data. The cable must be specifically impedance matched for the digital DMX signal, meaning that microphone cable or other non-rated cable **must not be used to carry DMX**. Network cable (Cat5, 5e or 6 cable) may be used to carry DMX in an installation; however special consideration must be given to shielding and termination. Under no circumstances should solid core cable like Cat5 be terminated into a screw down connector.

Meteor recommends the use of Belden 9729 or Belden 9841 for DMX installation. Belden 9729/9841 is a shielded twisted pair cable, which allows for a spare pair for 'out and back' type terminations if needed.

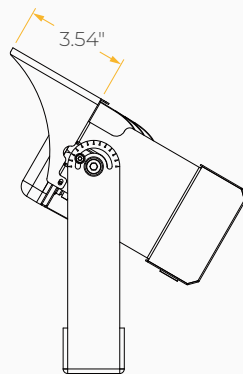
ACCESSORIES

60W / 100W

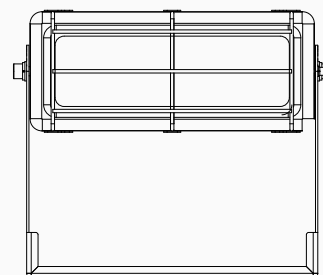
Glare Shield Baffle



Glare Shield Visor

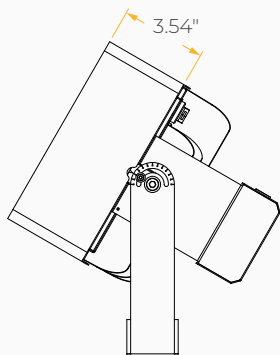


Wire Guard

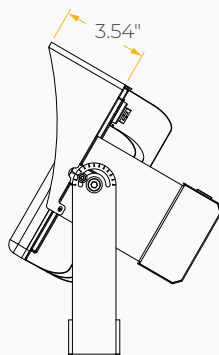


150W / 200W

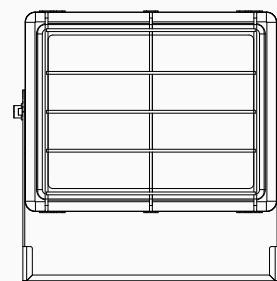
Glare Shield Baffle



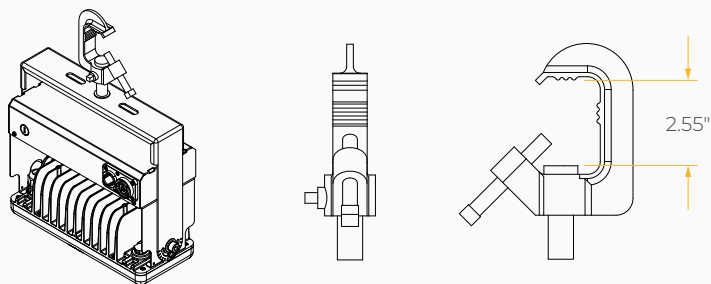
Glare Shield Visor



Wire Guard

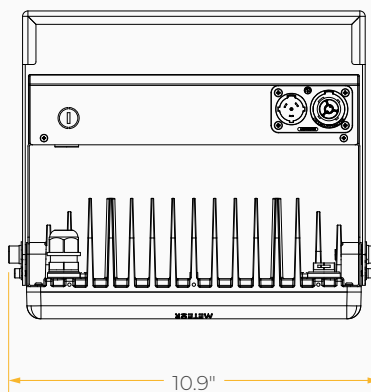
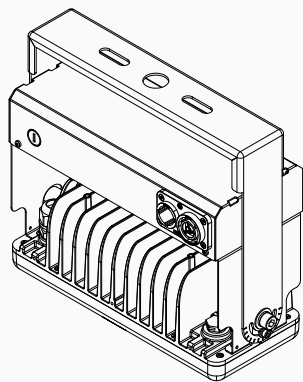


C-Clamp Mount

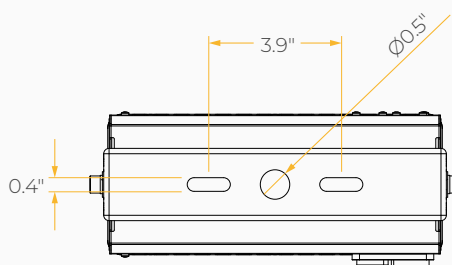
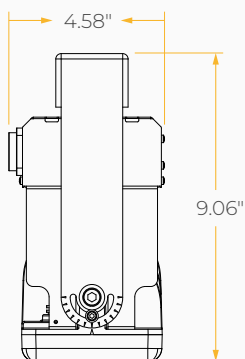


DIMENSIONS

60W / 100W

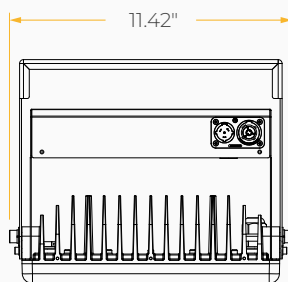
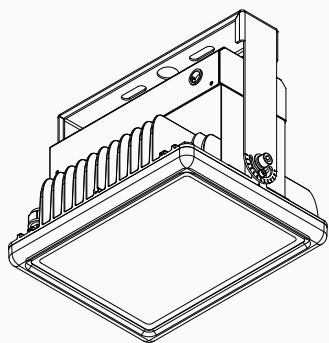


powerCON® TRUE1
Power Connector



DIMENSIONS

150W / 200W



powerCON® TRUE1
Power Connector

